



The snap acting relay monitor the valve supply pressure and set the valve at the safe position in case of pressure loss or pressure drops below the preset value.

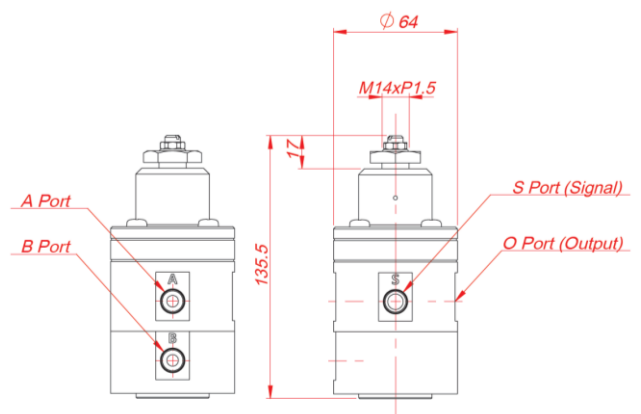
Features

- ▶ Rugged aluminum or 316 die-cast housing
- ▶ Stable setting pressure
- ▶ No electrical part
- ▶ High flow capacity
- ▶ Single or double acting

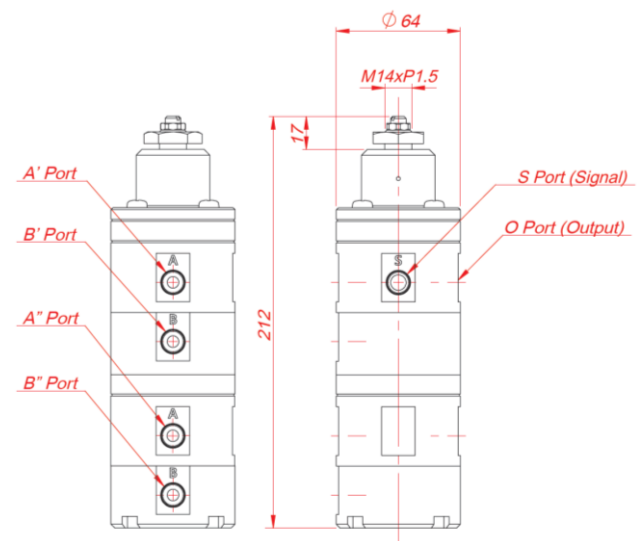
Specifications

Model	SAR-S	SAR-D
Acting	Single	Double
Fluid	Air	
Signal pressure	1.4 ~ 7 bar	
Line / Proof pressure	7 bar / 10 bar	
Temperature	20 ~ +70°C (standard)	
Pneum. connection	NPT 1/4	
Hysteresis	0.1 bar	
Flow capacity (Cv)	0.9	
Body material	Aluminium / 316 SS	
Weight Alum.(316)	0.65 kg (1.2 kg)	1.4 kg (2.5 kg)

Dimensions



<SAR-S>



<SAR-D>

Codification

Description	Code			
	Pneu. connection	Body material	Acting	Temperature
Pneu. connection	1 : NPT 1/4			
Body material	0 : Aluminium 1 : Inox			
Acting	0 : Single 1 : Double			
Temperature	0 : -20~70°C 1 : -20~120°C 2 : -40~80°C			