



< AVB-1000 > CE Ex II2 G/D

The AVB-1000 series is mounted between the positioner and actuator. It provides the actuator with a high air flow output whose pressure corresponds exactly to the signal pressure

### Features

- ▶ Delivers high air volume to actuator rapidly
- ▶ Tunes a unit response to eliminate an actuator overshoot or overdamping
- ▶ Provides a tight shut off to reduce a costly air consumption
- ▶ Optional 1/4 or 3/8, PT or NPT supply and output ports

### Options

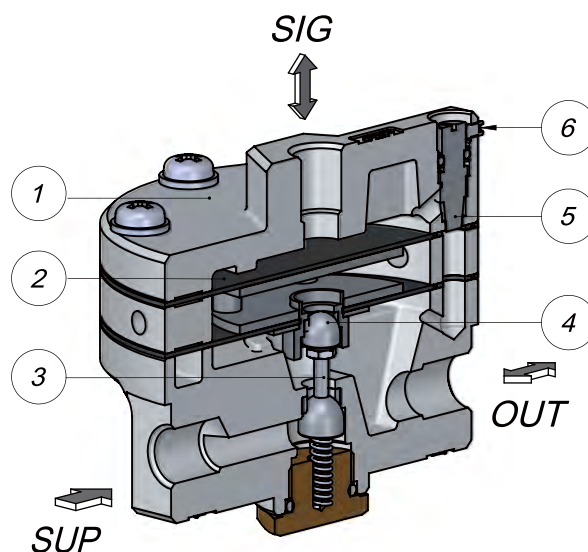
- ▶ High temperature : -20°C - +120°C
- ▶ Low temperature : -40°C - +80°C

### How to Order

## AVB - 1

Body Material	Port Size	Operating Temp.
---------------	-----------	-----------------

Description	Code
Body Material :	0 : Aluminum die-cast
Port Size :	0 : PT (Rc) 1/4 1 : NPT 1/4 2 : PT (Rc) 3/8 3 : NPT 3/8
Operating Temperature :	0 : -20 ~ +80°C (standard) 1 : -20 ~ +120°C (high temp.) 2 : -40 ~ +80°C (low temp.)



< Sectional View of AVB-1000 >

No.	Description	AVB-1000
1	Body	ALDC 12.1
2	Diaphragm	N.B.R
3	Inlet valve	SS304
4	Exhaust valve	SS304
5	Adjusting screw	SS304
6	Lock screw	SS304

## Specifications

Model	AVB-1000
Conditions of Supply Air	
Supply Air Pressure	Max. 10 bar (150 psi)
Signal Air Pressure (positioner output)	Max. 7 bar (105 psi)
Supply Air Quality acc. to ISO 8573-1	Filtered, compressed dry and non-oiled to meet Class 3
Closed Loop Control	
Pressure Ratio : signal to output	1 : 1
Dead Band	2% (0.016 bar)
Hysteresis	1 %
Linearity	±1% F.S
Flow Cv	
Supply Cv	1.2
Exhaust Cv	1.1
Other Operating Parameters	
Operating Ambient Temperature	-20 ~ +80°C (std), -20 ~ +120°C (high), -40 ~ +80°C (low)
Weight	0.56 kg
Connecting Port Threads	
Supply (SUP) / Output (OUT)	PT 1/4, NPT 1/4, PT 3/8, NPT 3/8
Signal (SIG)	PT 1/4 or NPT 1/4
Materials	
Body	Aluminum die-cast
Diaphragm	NBR
O-rings	NBR
Protection Class	
Explosion-proof	CE Ex 112 G/D

## Dimensions

